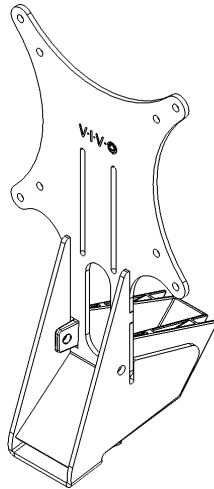




VESA Adapter for Compatible Asus Monitors

Instruction Manual



SKU: MOUNT-ASVZ01



Scan the QR code with your mobile device or follow the link for helpful videos and specifications related to this product.

<https://vivo-us.com/products/mount-asvz01>

GET IN TOUCH | Monday-Friday from 7:00am-7:00pm CST



help@vivo-us.com



www.vivo-us.com
Chat live with an agent!



309-278-5303

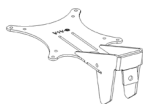
WARNING!

If you do not understand these directions, or if you have any doubts about the safety of the installation, please call a qualified technician. Check carefully to make sure there are no missing or defective parts. Improper installation may cause damage or serious injury. Do not use this product for any purpose that is not explicitly specified in this manual. Do not exceed weight capacity. We cannot be liable for damage or injury caused by improper mounting, incorrect assembly or inappropriate use.

WARNING: CHOKING HAZARD

SMALL PARTS - NOT FOR CHILDREN UNDER 3 YEARS. ADULT SUPERVISION IS REQUIRED.

PACKAGE CONTENTS



A (x1)
VESA Adapter



B (x1)
Plastic Spacer



C (x1)
M4x45
Thumbscrew



D (x1)
M4 Cap Nut



E (x4)
M4x12
Thumbscrew



F (x3)
M6 Washer

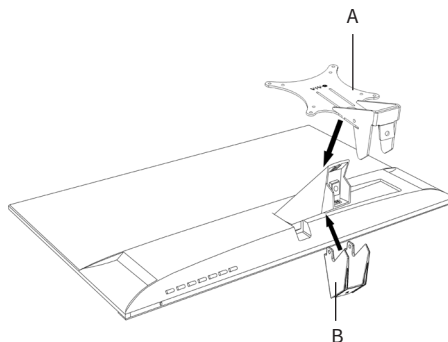
TOOLS NEEDED



ASSEMBLY STEPS

STEP 1

Place the plastic spacer (**B**) onto the front of the monitor's post, and then place the VESA adapter (**A**) onto the back of the post and over the plastic spacer, making sure the holes on the sides of the adapter align with the holes in the spacer.

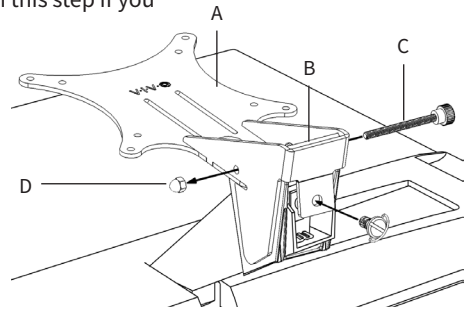


STEP 2

OPTION A: For VZ Series Monitors (VZ229HE, VZ229N, VZ239H-W, VZ249H, VZ279H, VZ27AQ, VZ279HE)

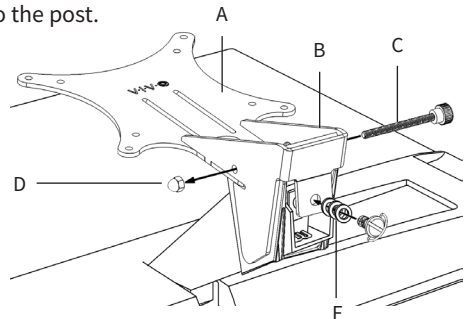
Insert the M4x45 thumbscrew (**C**) through the sides of the adapter and spacer and secure with the M4 cap nut (**D**). Use the screw from the monitor's original base to secure the adapter to the post.

Note: Do not use the three M6 washers (**F**) in this step if you have a VZ series monitor.



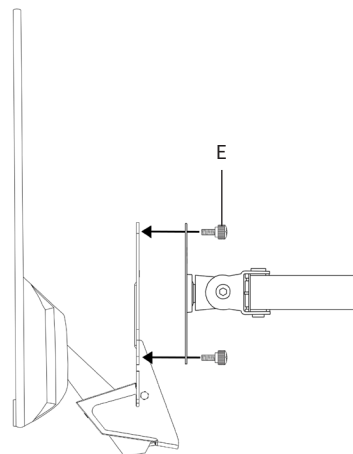
OPTION B: For VX Series Monitors

Insert the M4x45 thumbscrew (**C**) through the sides of the adapter and spacer and secure with the M4 cap nut (**D**). Use the screw from the monitor's original base along with the three M6 washers (**F**) to secure the adapter to the post.



STEP 3

Mount the monitor with adapter to your VESA mount using the M4x12 thumbscrews (**E**).





Open **Monday - Friday 7:00am - 7:00pm** CST,

our dedicated support team can offer immediate assistance with rapid response times. If any parts are received damaged or defective, please contact us. We are happy to replace parts to ensure you have a fully functioning product.


 help@vivo-us.com

AVG. RESPONSE TIME (*within office hrs*): **1HR 8M**

- 23% within < 15m
- 38% within < 30m
- 61% within < 1hr
- 83% within < 2hr
- 92% within < 3hr

 www.vivo-us.com
Chat live with an agent!

AVG. RESOLUTION TIME (*within office hrs*): **< 15 M**

 309-278-5303

AVG. RESOLUTION TIME (*within office hrs*): **5M 4S**